



# University of Oregon Recreation Center Pool



# University of Oregon Pool Programming Needs

## Drivers of Pool Design

### 1. Users

- Rec Sports
- Intramural
- Educational
- Public
- Intercollegiate?



### 2. Programs

- Lap / Fitness Swimming
- Leisure
- Recreation
- Water Polo
- Therapy / Learn to Swim
- Diving?



**University of Oregon Recreation Center Pool**

# University of Oregon Pool Programming Needs

## Drivers of Pool Design

### 3. Systems and Environment

- Lighting
- Ability for Fresh Air
- Access to Outside for Sunbathing, Lounging, Event Staging ✓
- Infrastructure
- Chemical Systems
- Mechanical Components

### 4. Theming and Finishes

- Pool- Tile or Plaster?
- Deck- Tile or Concrete?
- Colors, Details, Etc.





# University of Oregon Pool Programming Needs

## Drivers of Pool Design

### 1. Users

- Rec Sports
- Intramural
- Educational ←
- Public
- ~~Intercollegiate?~~

SWIM  
Water polo)  
✓ Club sports - K  
✓ SUMMER CAMPS -

RENTALS:  
- KIDS  
- Therapy



**University of Oregon Recreation Center Pool**

# University of Oregon Pool Programming Needs

## Drivers of Pool Design

- o DEEP / SHALLOW AREAS
- o LEARN TO SWIM

## 2. Programs

- Lap / Fitness Swimming ✓
- Leisure
- Recreation
- Water Polo
- Therapy / Learn to Swim
- Diving? 2) / M (12'-6")





# University of Oregon Pool Programming Needs

## Drivers of Pool Design

### 3. Site Constraints

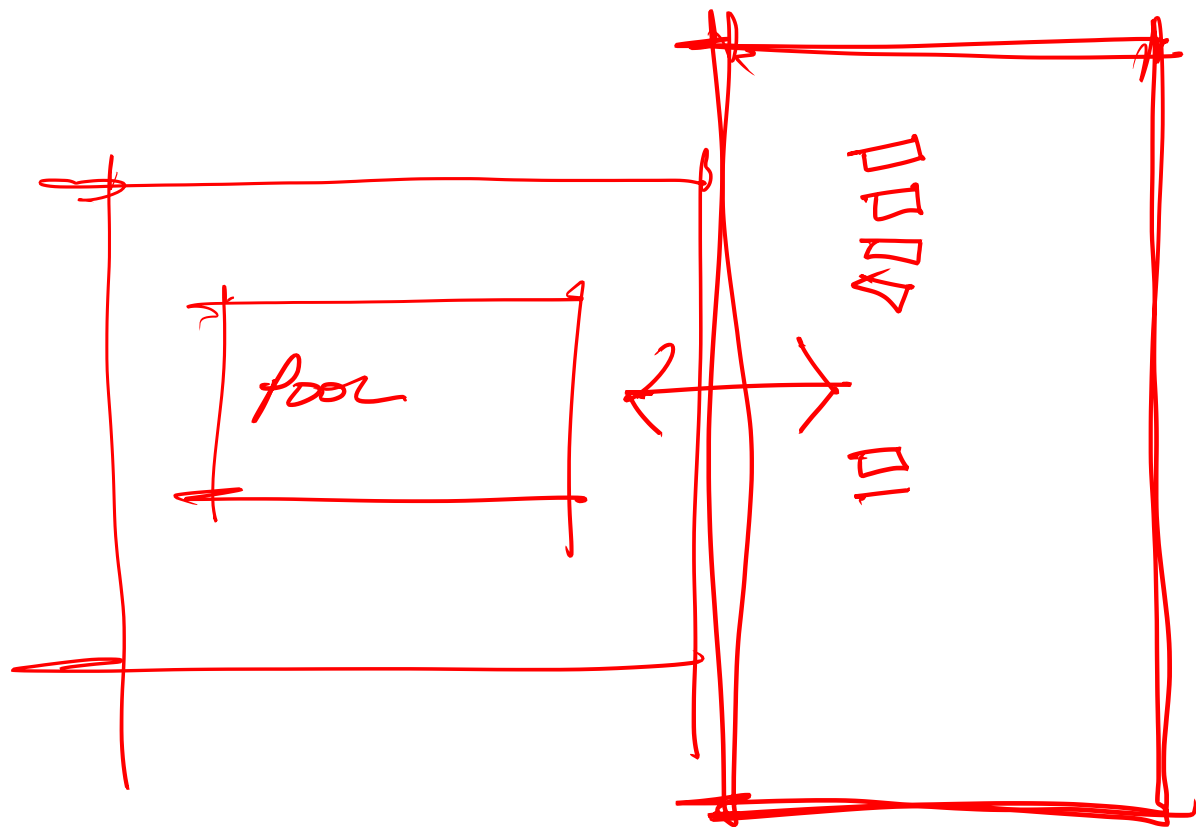
- Ability for Fresh Air
- Access to Outside for Sunbathing, Lounging, Event Staging
- Accessibility
- Chemical Systems
- Infrastructure
- Lighting (u.v.)
- Mechanical Components

DECK YES

PULSAR  
UV

PATIO? YES  
MOVABLE WALL = TBD  
HIGH RATE SAND VS. DB?   
TUNNEL = MANY  
IN GROUND VACUUM? TBD





- SUN DATHE
- DRYLAND PRACT.  
30 people
- RENTABLE
- 50 chairs
- DIAZ / PIANO  
platform
- SAND VOLLEYBALL
- BBQ
- DAY/NIGHT

- SECURE
- RENTABLE
- LANDSCAPE BUT NOT HEAVY

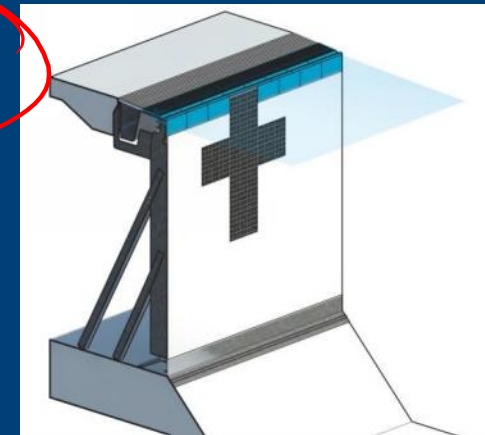
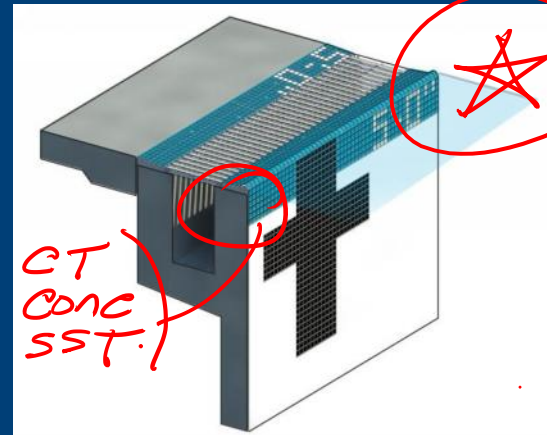
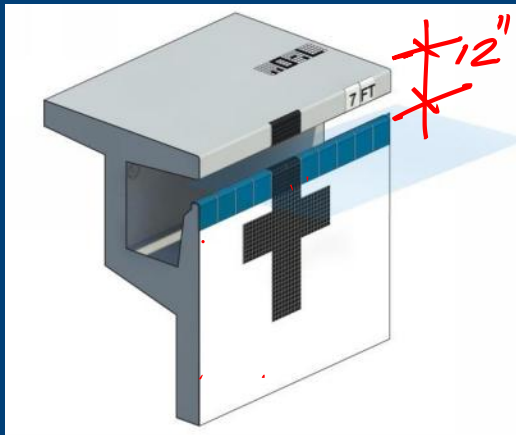


# University of Oregon Pool Programming Needs

## Drivers of Pool Design

### 4. Construction, Theming, and Finishes

- Pool Type
- Gutter Configuration
- Pool- Tile or Plaster?
- Colors, Details, Etc.



*POOL CONST: TBD. MYRTIA VS C.I.P.*

**University of Oregon Recreation Center Pool**



# University of Oregon Pool Programming Needs

## Recreational Uses:

- ✓ Relaxing
- ✓ Water Volleyball
- ✓ Water Basketball
- ✓ Kayaking (8-10 stories)
- ✓ Scuba
- ✓ Waterpolo (Fixed Cage)
- ~~• Extreme Sports (Climbing Wall, Rope Swing, Zip line)~~

## Fitness Uses:

- Open Swim
- Physical Education / College Classes
- Therapy / Rehabilitation



6 Lane = 24 Swimmers.

University of Oregon Recreation Center Pool

2 CLASSES @ ONCE = 9000.

# University of Oregon Pool Programming Needs

## Community Uses:

- Competitive
- Learn to Swim
- Masters
- Red Cross
- Summer Camps
- Therapeutic / Rehabilitation



## Special Events:

- Recruiting
- Awards / Banquets
- Private Rentals / Functions
- Movie / Party Nights



*min*  
*2 Over Neutral Mandy Pomer*



**University of Oregon Recreation Center Pool**



# University of Oregon Pool Programming Needs

## A/V Requirements:

- Movie
- Scoreboard
- Speaker
- Effects

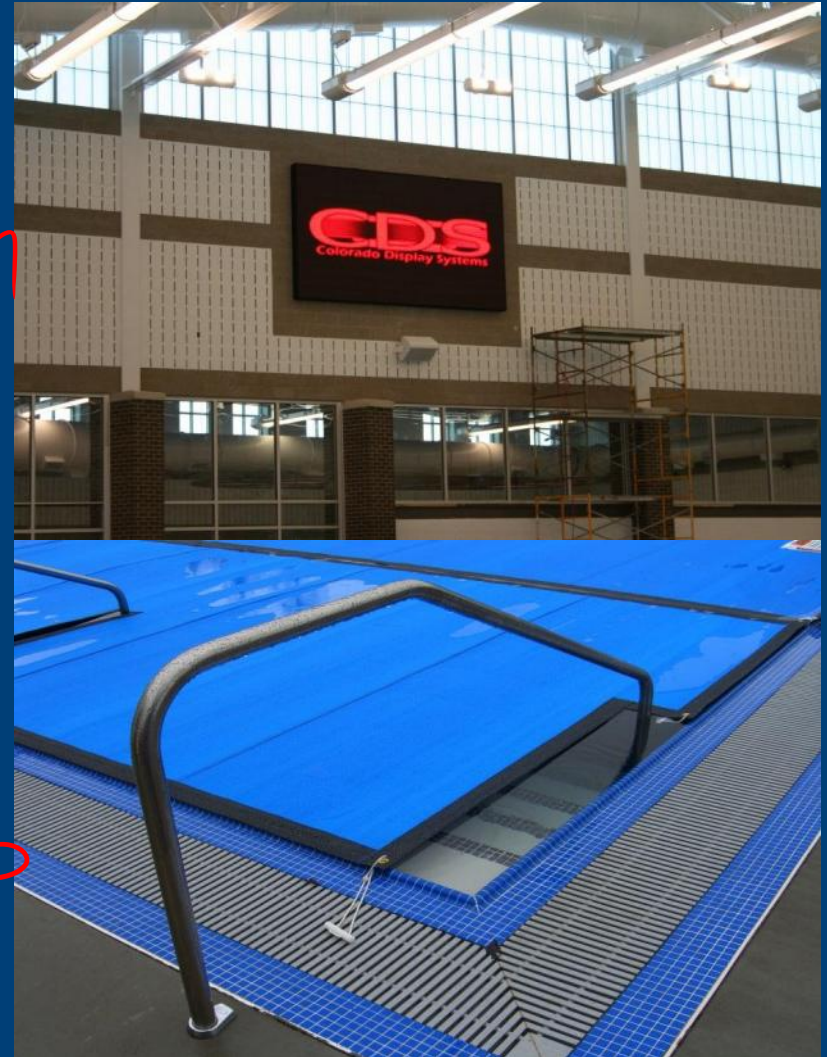
*timing system*

## Pool Covers:

- Traditional
- Automated
- Hybrid
- Liquid

*MOST likely*

*U.W. Camera (Safety). TBD*



# University of Oregon Pool Programming Needs

## Security Cameras / System:

- Entrances
- Facility
- Life-Saving

## Deck Finishes:

- Medium Broom
- Acid Finish
- Rock Salt
- Topping Coat
- Integral Color vs. Deck Staining
- **Tile**





# Hot Tub / Spas



*2D people*



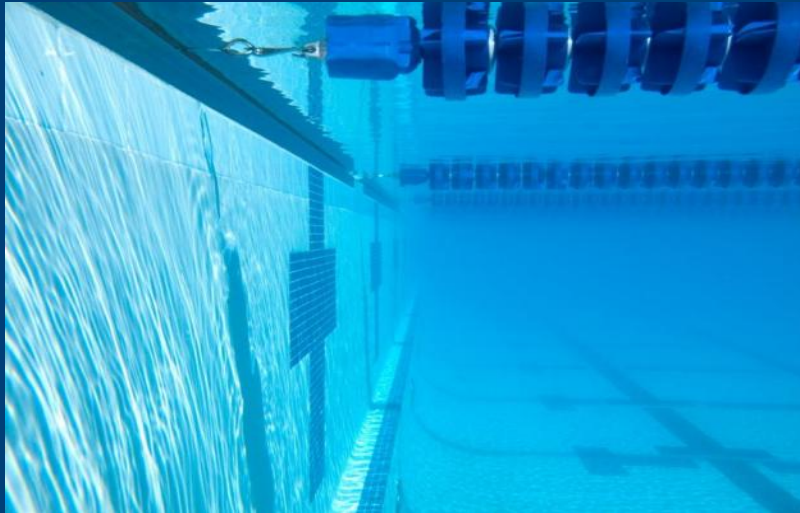
**University of Oregon Recreation Center Pool**

# Decks Seating





# Recreational Features





# Recreational Features





# Solar



**University of Oregon Recreation Center Pool**

# ADA





# Deep vs. Deck Level Gutter Pools

## Deep Gutters

- Slightly less expensive
- Typically little sound
- Less aesthetically pleasing
- 6 inches from deck to pool water level
- More of a competitive detail



## Deck Level Gutters

- Slightly more expensive
- Mid range sound
- Impressive aesthetically
- Water is at deck level
- More of a recreation detail



# University of Oregon Pool Programming Needs

INSIDE OUT

<b>1.0</b>	<b>Swimming:</b>
1.1	Number of Lanes, Short Course Yards
1.2	Width of Lanes, Short Course Yards
1.3	Toe Ledge
1.4	Depth / Temperature of Swimming Lanes

<b>2.0</b>	<b>Diving:</b>
2.1	1 Meter Springboard- FINA / USAD / NCAA / NFSHS
2.2	3 Meter Springboard- FINA / USAD / NCAA

<b>3.0</b>	<b>Water Polo:</b>
3.1	25 Yard Floating Course- USAWP / NCAA / NFSHS
3.2	25 Yard Fixed Course- USAWP / NCAA / NFSHS



**University of Oregon Recreation Center Pool**



14

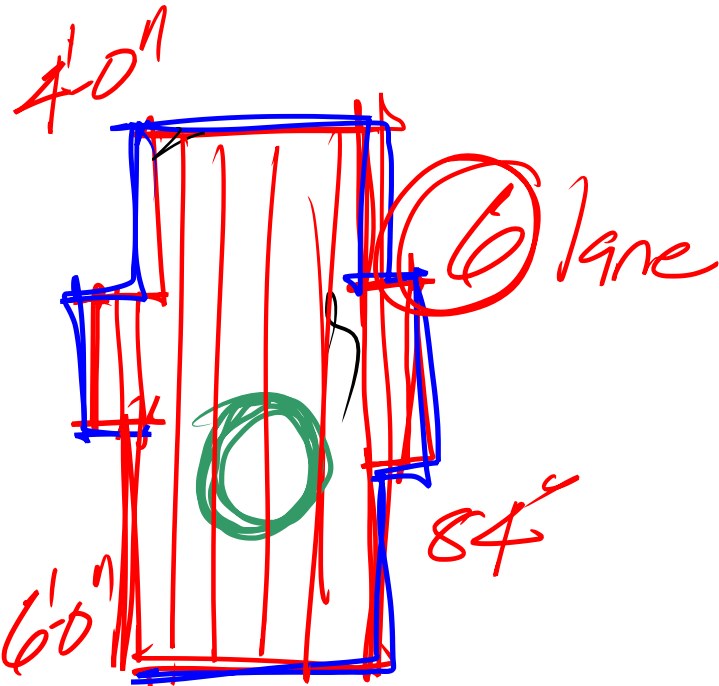
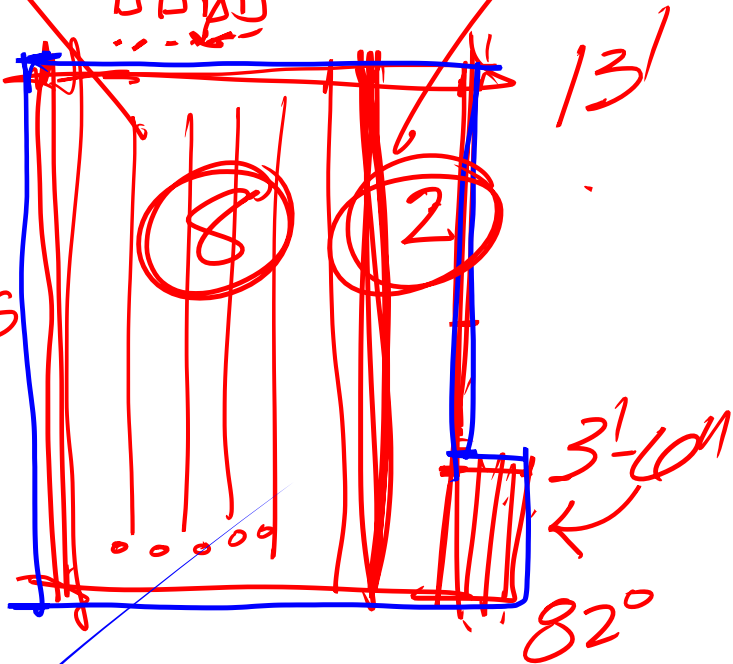
INSIDE

OUT

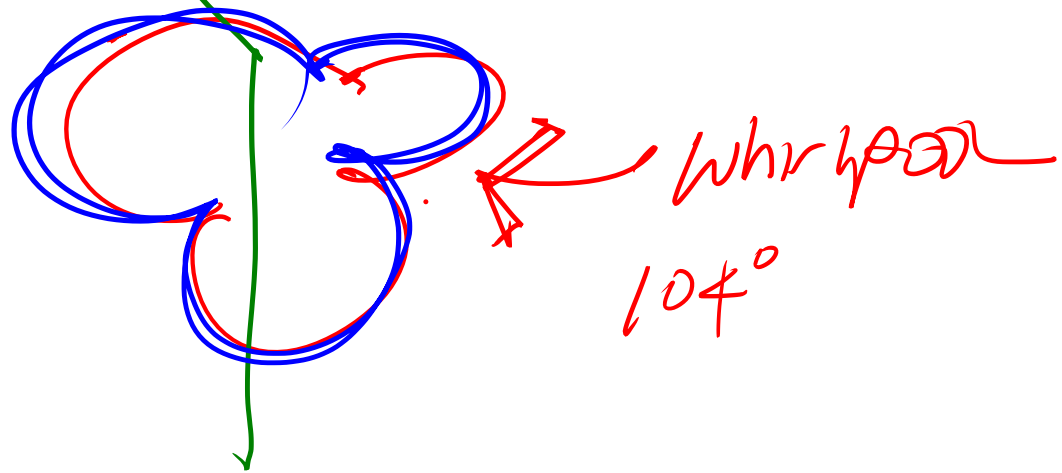
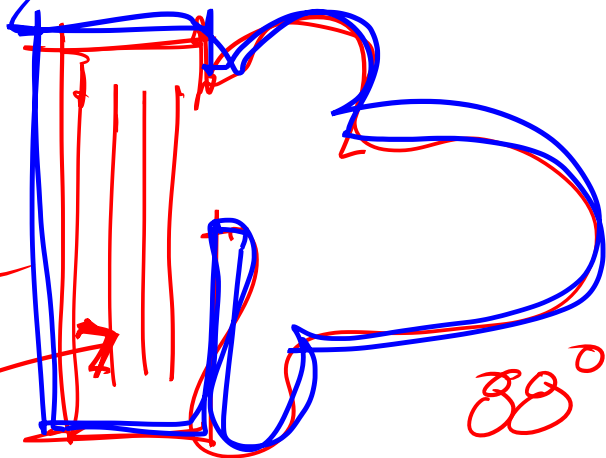
C/R

IN BACK STOR  
Block open

10 LN  
2SP2S



4 LN  
leisure  
L.T.S



# University of Oregon Pool Programming Needs

<b>4.0</b>	<b>Recreation Components:</b>
4.1	Gutter Configuration- Rim Flow / Cantilever / Skimmer
4.2	Zero-Depth Entry
4.3	Deep Water (Scuba, Underwater Hockey, etc.)
4.4	Water Effects (Spray's, Waterfalls, Misters)
4.5	River Current Channel
4.6	Water Volleyball
4.7	Water Basketball
4.8	Water Slide
4.9	Zip Line / Rope Swing
4.10	Climbing Wall

<b>5.0</b>	<b>Pool Systems:</b>
5.1	Chemical System- Tablet / Liquid / Salt Water
5.2	In Pool Lights- LED / Incandescent / Fiber Optic
5.3	Pool Heating- Campus Loop / Pool Boilers /
5.4	Tunnel Surrounding Pool
5.5	Traditional Pool Construction or Myrtha?



**University of Oregon Recreation Center Pool**



# University of Oregon Pool Programming Needs

<b>6.0</b>	<b>Infrastructure:</b>
6.1	ADA Access- Lift / Ramp / Stairs
6.2	Pool Deck Width, North
6.3	Pool Deck Width, South
6.4	Pool Deck Width, East
6.5	Pool Deck Width, West
6.6	Pool Deck Finish- Concrete / Rock Salt / Coating / Tile
6.7	Pool Deck Drainage- Slot Drain / Area Drains
6.8	Life Guard Chairs- Fixed / Movable
6.9	Timing System
6.10	Scoreboard / Type
6.11	Pace Clocks / Shot Clocks
6.12	Seating
6.13	Patio Area
6.14	Shaded Seating
6.15	Cabana Seating
6.16	Overhead Lighting
6.17	Public Address / Sound System
6.18	Movie Screen
6.19	Storage, Deck Equipment
6.20	Storage, Competitive / Recreation Equipment



**University of Oregon Recreation Center Pool**

# University of Oregon Pool Programming Needs

6.21	Lockers- Inside Locker Rooms / Outside
6.22	On-Deck Showers / Waterfall
6.23	Fencing / Walls / Access
6.24	Security Cameras
6.25	Underwater Cameras (life saving)
6.26	Family Locker Room
6.27	Signage
6.28	Equipment Rentals
6.29	Starting Blocks
6.30	Pool Covers
6.31	Privacy
6.32	Pool Temperatures
6.33	Hot Tub
6.34	Cold Tub / Plunge Pool
6.35	University Character / Theming
6.36	Underwater Speakers
6.37	In-Pool Lights
6.38	Movable Floor
6.39	Office Space(s)
6.40	Wireless / Connectivity



## University of Oregon Recreation Center Pool